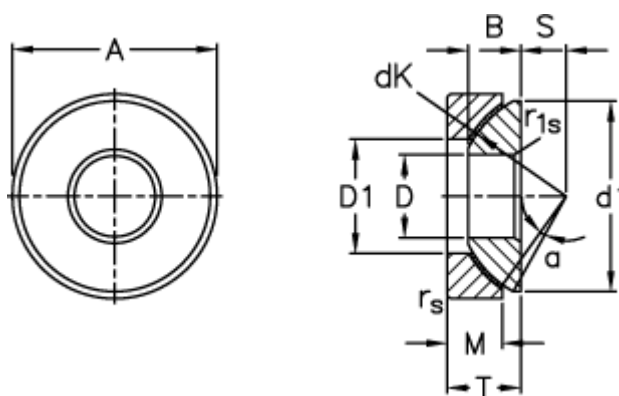


Article number: 03512030

Description: Fluro Rod end GE 30AW

Measures



A	= 75 0 -0,013	rs, r1s min	= 1
B	= 19	S	= 17.5
D	= 30 0 -0,010	Static axial load C0 (kN)	= 680
d1 max	= 70	T	= 26 +0,25 -0,40
D1 min	= 42	Tilt angle	= 5
dK	= 82	Weight	= 614
Dynamic axial load C (kN)	= 340		
M	= 19		